

2-Way Diaphragm Valve

Cast stainless steel body, manually operated

- Cavity free and self-draining
- Hermetical separation of fluids from the operating mechanism by diaphragm
- Fully Autoclavable
- Full traceability as per EN 10204 3.1 and ASME BPE
- Various internal surface finish available each with less than 0.40 Ra



Series 10 manually operated diaphragm valve has a flow-optimized stainless steel body, a diaphragm, a bonnet and manual handle. The stainless steel body is available with various surface finish.

The diaphragm is both a switch as well as a sealing element for the media. It is easily replaceable.

A bonnet is provided for the protection of diaphragm and handle-mechanism.

Flow can be continually adjusted with proper positioning of the handle. Position indicator is provided at top of the handle.

Technical Data

| | | |
|---|--|-----------------------|
| Connection Size | ½" - 3" | |
| MOC – Wetted (Contact) | ASTM A351 CF3M (SS 316L) | |
| MOC – Non-wetted (Non- contact) | Polyamide or ASTM A351 CF8 (SS 304) | |
| Seal material | EPDM, PTFE | |
| Media | Neutral gases and liquids, high purity, sterile, aggressive or abrasive fluids | |
| Viscosity | Up to viscous | |
| Surface finish | Mechanical or Electro Polish | |
| Media temperature | EPDM | -10°C to +75 °C |
| | PTFE | -10°C to +90 °C |
| Ambient temperature | Up to +90 °C | |
| Sterilization temperature | EPDM | Briefly up to +130 °C |
| | PTFE | Briefly up to +150 °C |
| End connections | ASME BPE | |
| • V-band (Hygienic) Clamp • Butt-Weld | - EN ISO 1127/ISO 4200 and BS 4825 are available on request | |
| Installation | As required, preferably with handle in upright position | |
| Options | Locking function available with polyamide bonnet | |

2-way diaphragm valve, cast stainless steel body, manually operated

Body with V-band (Hygienic) Clamp Connector

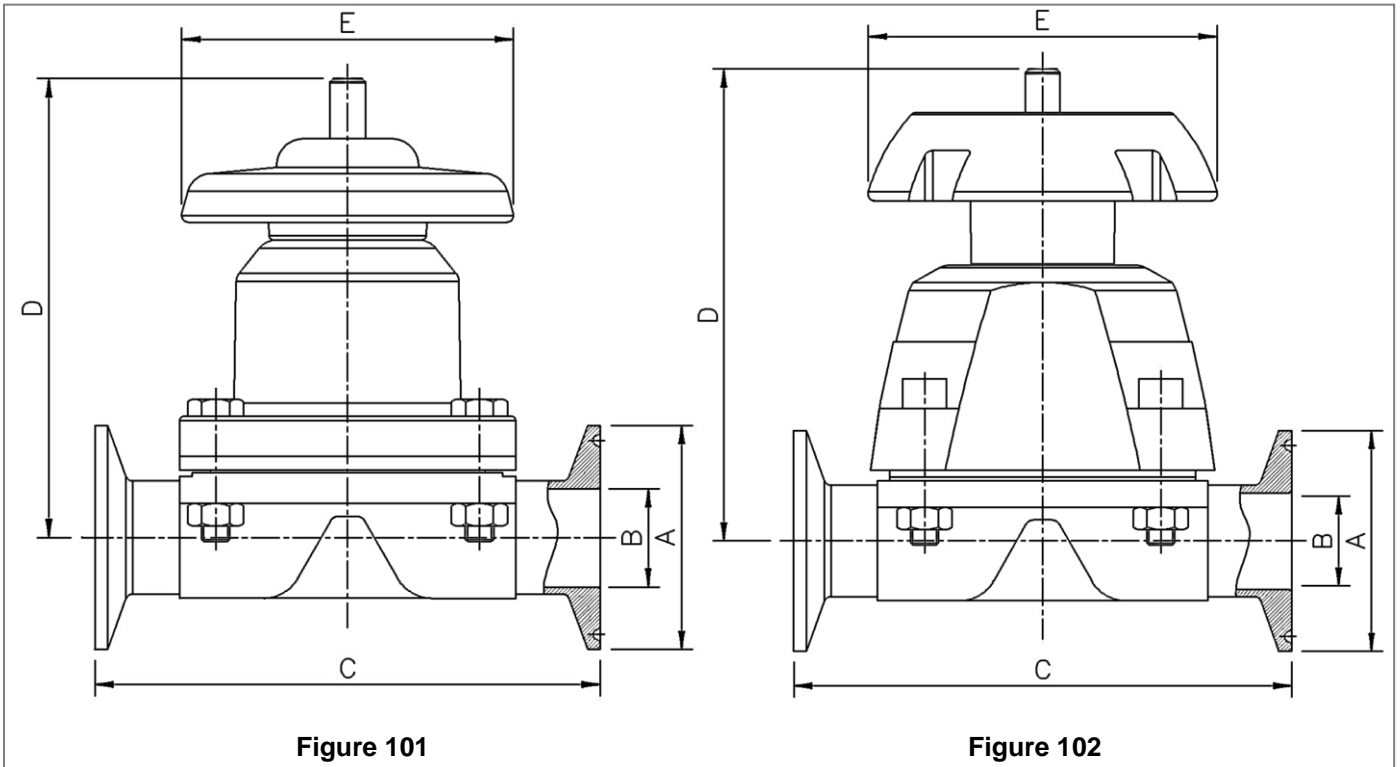


Figure 101

Figure 102

Dimensions for end connections according to ASME BPE connection type

| Bonnet and Handle - Stainless Steel (Refer Figure 101) | | | | | |
|--|-----------|---------|---------------------|------------------------------------|----------------------------|
| Connection Size | Flange OD | Pipe ID | Face to Face Length | Max. Valve Height from Pipe Center | Outside Diameter of Handle |
| | A | B | C | D | E |
| | (mm) | (mm) | (mm) | (mm) | (mm) |
| ½" Mini* | 25.00 | 9.40 | 63.5 | 69.5 | 40.0 |
| ½" Regular | 25.00 | 9.40 | 88.9 | 78.5 | 59.5 |
| ¾" | 25.00 | 15.75 | 101.6 | 81.3 | 59.5 |
| 1" | 50.40 | 22.10 | 114.3 | 104.4 | 91.0 |
| 1½" | 50.40 | 34.80 | 139.7 | 137.6 | 109.5 |
| 2" | 63.90 | 47.50 | 158.8 | 143.8 | 109.5 |
| 2½" | 77.40 | 60.20 | 193.8 | 162.0 | 152.0 |
| 3" | 90.90 | 72.90 | 222.3 | 168.0 | 152.0 |

| Bonnet and Handle - Polyamide (Refer Figure 102) | | | | | |
|--|-----------|---------|---------------------|------------------------------------|----------------------------|
| Connection Size | Flange OD | Pipe ID | Face to Face Length | Max. Valve Height from Pipe Center | Outside Diameter of Handle |
| | A | B | C | D | E |
| | (mm) | (mm) | (mm) | (mm) | (mm) |
| ½" Regular | 25.00 | 9.40 | 88.9 | 88.5 | 79.0 |
| ¾" | 25.00 | 15.75 | 101.6 | 91.3 | 79.0 |
| 1" | 50.40 | 22.10 | 114.3 | 111.7 | 93.0 |
| 1½" | 50.40 | 34.80 | 139.7 | 130.0 | 116.5 |
| 2" | 63.90 | 47.50 | 158.8 | 136.2 | 116.5 |
| 2½" | 77.40 | 60.20 | 193.8 | 170.0 | 149.0 |
| 3" | 90.90 | 72.90 | 222.3 | 176.0 | 149.0 |

* - No position indicator available for this valve

2-way diaphragm valve, cast stainless steel body, manually operated

Body with Butt-weld End

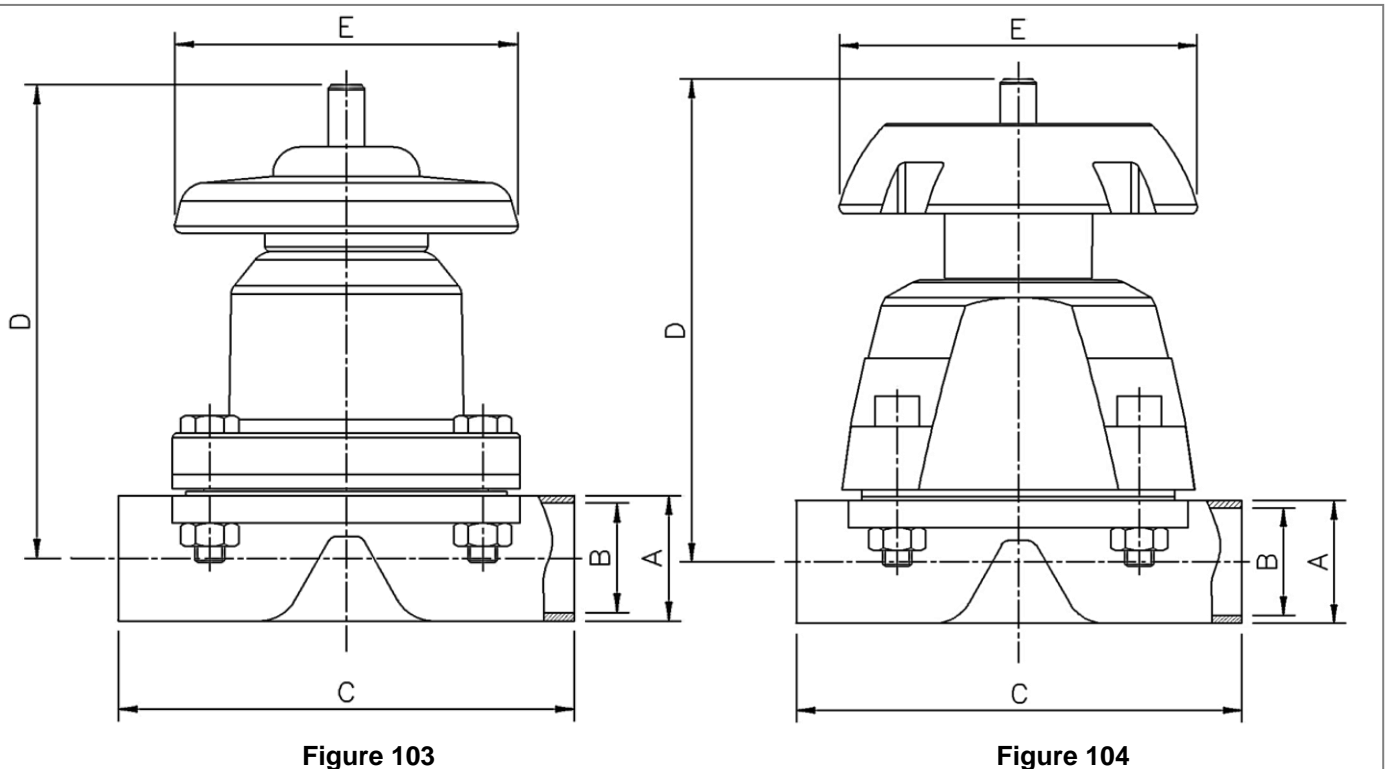


Figure 103

Figure 104

Dimensions for end connections according to ASME BPE connection type

| Bonnet and Handle - Stainless Steel (Refer Figure 103) | | | | | |
|--|---------|---------|---------------------|------------------------------------|----------------------------|
| Connection Size | Pipe OD | Pipe ID | Face to Face Length | Max. Valve Height from Pipe Center | Outside Diameter of Handle |
| | A | B | C | D | E |
| | (mm) | (mm) | (mm) | (mm) | (mm) |
| ½" Mini* | 12.70 | 9.40 | 70.0 | 69.5 | 40.0 |
| ½" Regular | 12.70 | 9.40 | 84.0 | 78.5 | 59.5 |
| ¾" | 19.05 | 15.75 | 84.0 | 81.3 | 59.5 |
| 1" | 25.40 | 22.10 | 108.0 | 104.4 | 91.0 |
| 1½" | 38.10 | 34.80 | 131.0 | 137.6 | 109.5 |
| 2" | 50.80 | 47.50 | 131.0 | 143.8 | 109.5 |
| 2½" | 63.50 | 60.20 | 154.0 | 162.0 | 152.0 |
| 3" | 76.20 | 72.90 | 154.0 | 168.0 | 152.0 |

| Bonnet and Handle - Polyamide (Refer Figure 104) | | | | | |
|--|---------|---------|---------------------|------------------------------------|----------------------------|
| Connection Size | Pipe OD | Pipe ID | Face to Face Length | Max. Valve Height from Pipe Center | Outside Diameter of Handle |
| | A | B | C | D | E |
| | (mm) | (mm) | (mm) | (mm) | (mm) |
| ½" Regular | 12.70 | 9.40 | 84.0 | 88.5 | 79.0 |
| ¾" | 19.05 | 15.75 | 84.0 | 91.3 | 79.0 |
| 1" | 25.40 | 22.10 | 108.0 | 111.7 | 93.0 |
| 1½" | 38.10 | 34.80 | 131.0 | 130.0 | 116.5 |
| 2" | 50.80 | 47.50 | 131.0 | 136.2 | 116.5 |
| 2½" | 63.50 | 60.20 | 154.0 | 170.0 | 149.0 |
| 3" | 76.20 | 72.90 | 154.0 | 176.0 | 149.0 |

* - No position indicator available for this valve

Notes:

1. Dimensions and tolerances for end connections and face-to-face length are as per ASME BPE.
2. All other dimensions are approximate and subject to change without prior notice.
3. Dimensions for valves with stainless steel bonnet and polyamide handle will be provided on request.

Ordering Chart

ORDER IDENTIFICATION NUMBER

LEISTUNG

| CONN. SIZE | |
|------------|---------|
| M5 | ½" Mini |
| R5 | ½" Reg. |
| 07 | ¾" |
| 10 | 1" |
| 15 | 1½" |
| 20 | 2" |
| 25 | 2½" |
| 30 | 3" |

| CERTIFICATE | |
|----------------|--------------------------------|
| 9 | ISO 9001 |
| P ³ | ISO 9001 + 'CE' (PED 97/23/EC) |

| TYPE OF DIAPHRAGM | |
|-------------------|------|
| E | EPDM |
| P | PTFE |

| TYPE OF END CONNECTION | |
|------------------------|-------------------------|
| B | BUTT WELD |
| T | V-BAND (HYGIENIC) CLAMP |

LE 10 A 10 E P P E T 9

| SERIES NUMBER | |
|---------------|-----------|
| 10 | SERIES 10 |

BONNET²

HANDLE²

| MATERIAL OF CONSTRUCTION | |
|--------------------------|------------------|
| C | ASTM A351 GR CF8 |
| P | POLYAMIDE |

| CONNECTION TYPE | |
|-----------------|----------------------|
| A | ASME BPE |
| B | BS 4825 |
| E ¹ | EN ISO 1127/ISO 4200 |

| SURFACE FINISH | |
|----------------|-------------------|
| M | MECHANICAL POLISH |
| E | ELECTRO POLISH |

Notes:

- 1 – EN ISO 1127/ISO 4200 offers standards for butt-weld end connections only.
- 2 – Combination of polyamide bonnet and steel handle (LE10XXXXPCXXX) is not available.
- 3 – 'CE'-marking is applicable for valves with connection sizes 1½", 2", 2½" and 3" only.
- 4 – Valves with end connection sizes according to EN ISO 1127/ISO 4200 and BS 4825 are available on request.

In case of special application conditions, please e-mail at: rnd@leistung.in
 The technical specifications are subject to change without notice.